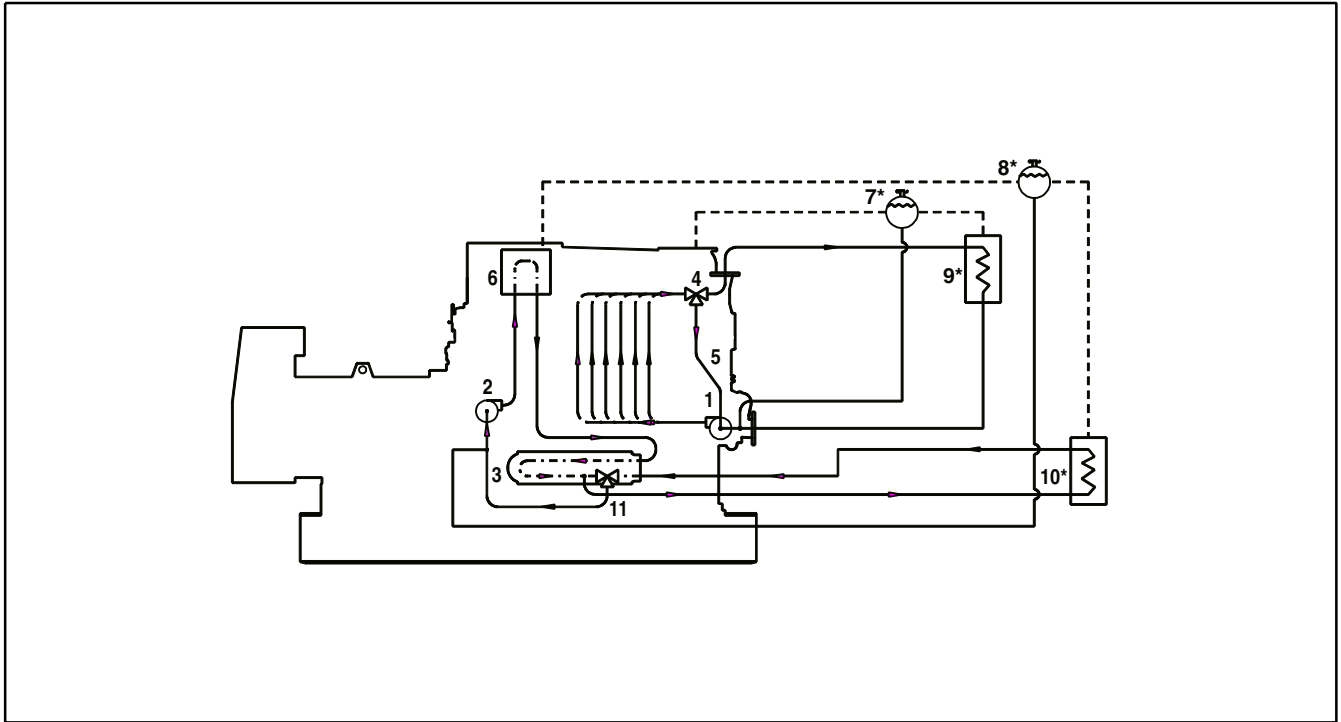


COOLING SYSTEMS 4

COOLING SYSTEM SCHEMATIC VGF L36, P48GL, GLD, GLD/2 & GSID ENGINES



LEGEND:

1. Engine Jacket Coolant Pump
2. Auxiliary Coolant Pump
3. Lube Oil Cooler
4. Engine Jacket Thermostats
5. Engine Jacket Thermostat Bypass Line
6. Intercooler
7. Engine Jacket Expansion Tank
8. Auxiliary Expansion Tank
9. Engine Jacket Cooler
10. Engine Auxiliary Cooler
11. Auxiliary Circuit Thermostat

NOTES:

All Connections to unit must be flexible.

*Customer supplied component and piping.

- - - - Deaeration vent lines. 1/4" tubing or 1/2" tubing with 1/4" orifice at the engine.