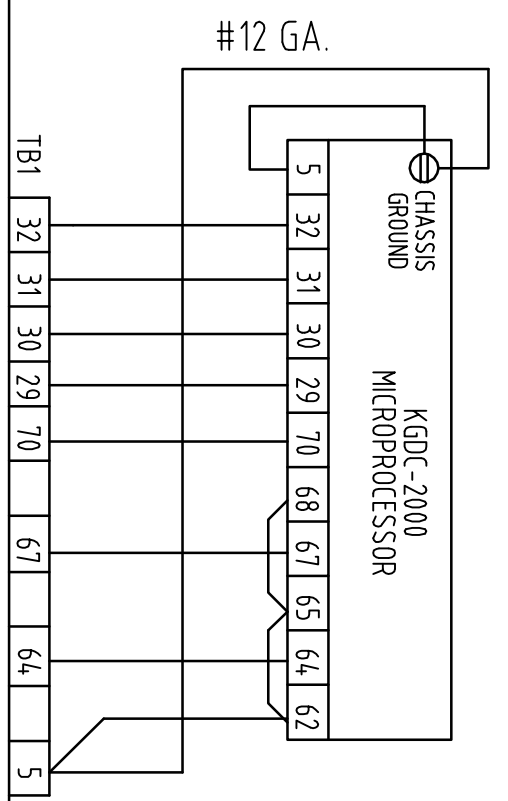
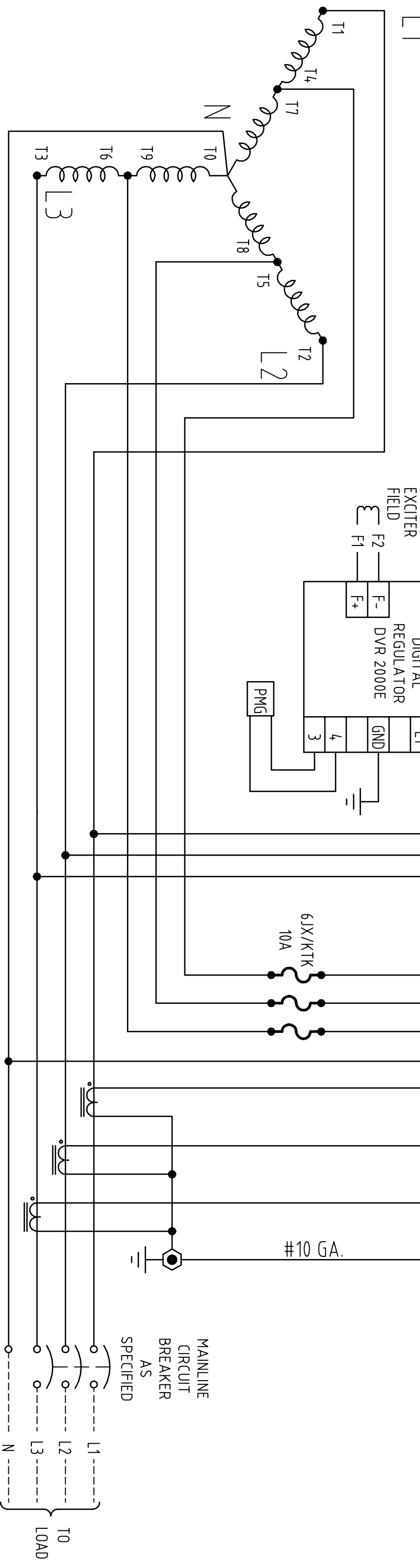


A B C D E F G H

CONTROL PANEL

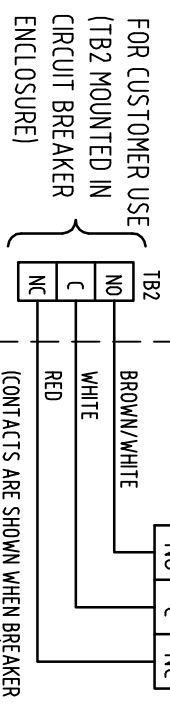
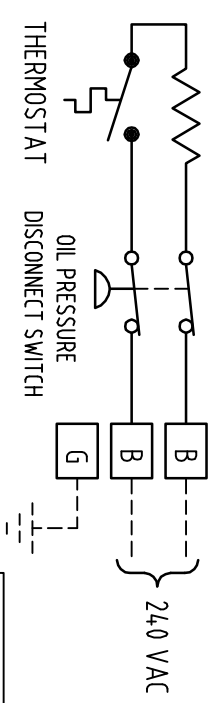


GENERATOR OUTLET BOX



CUSTOMER CONNECTIONS

JACKET WATER HEATER



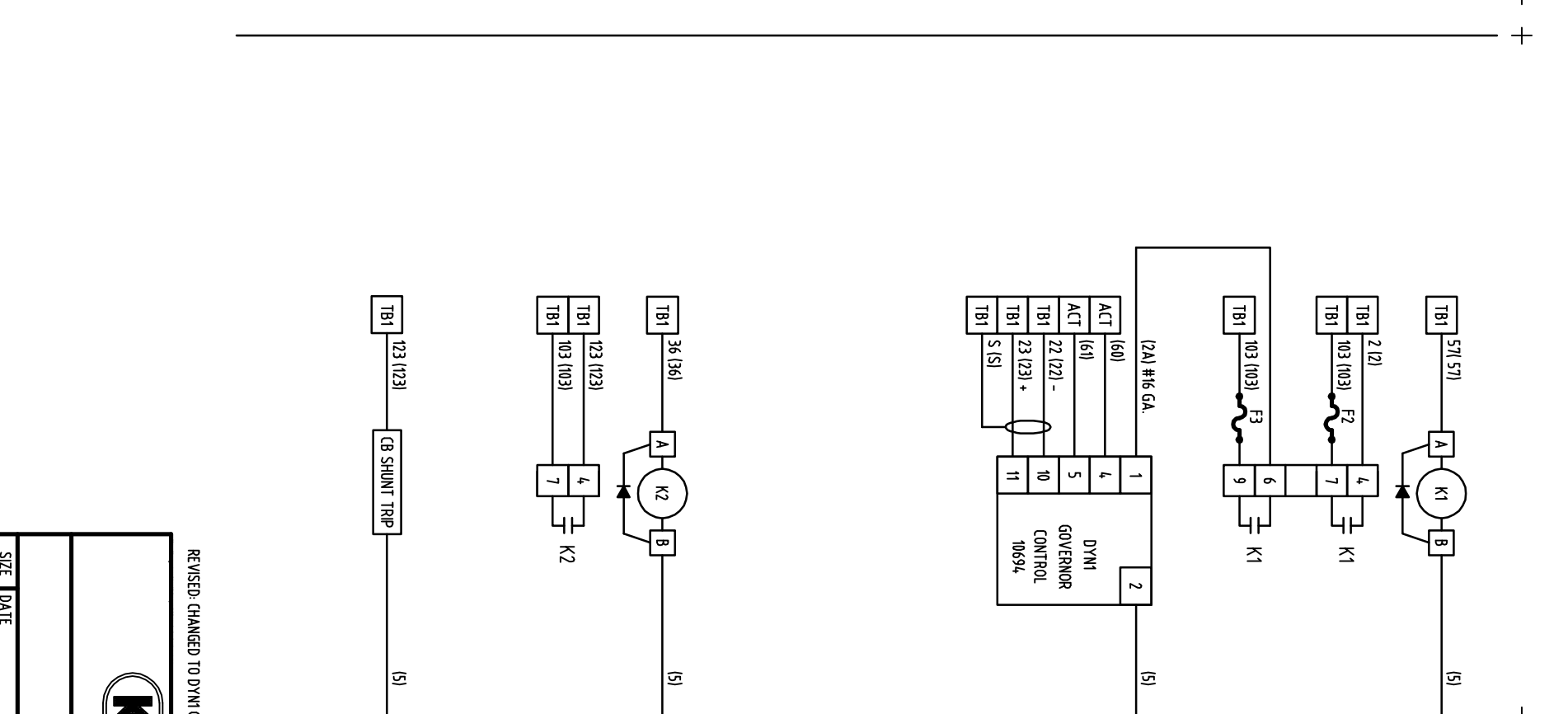
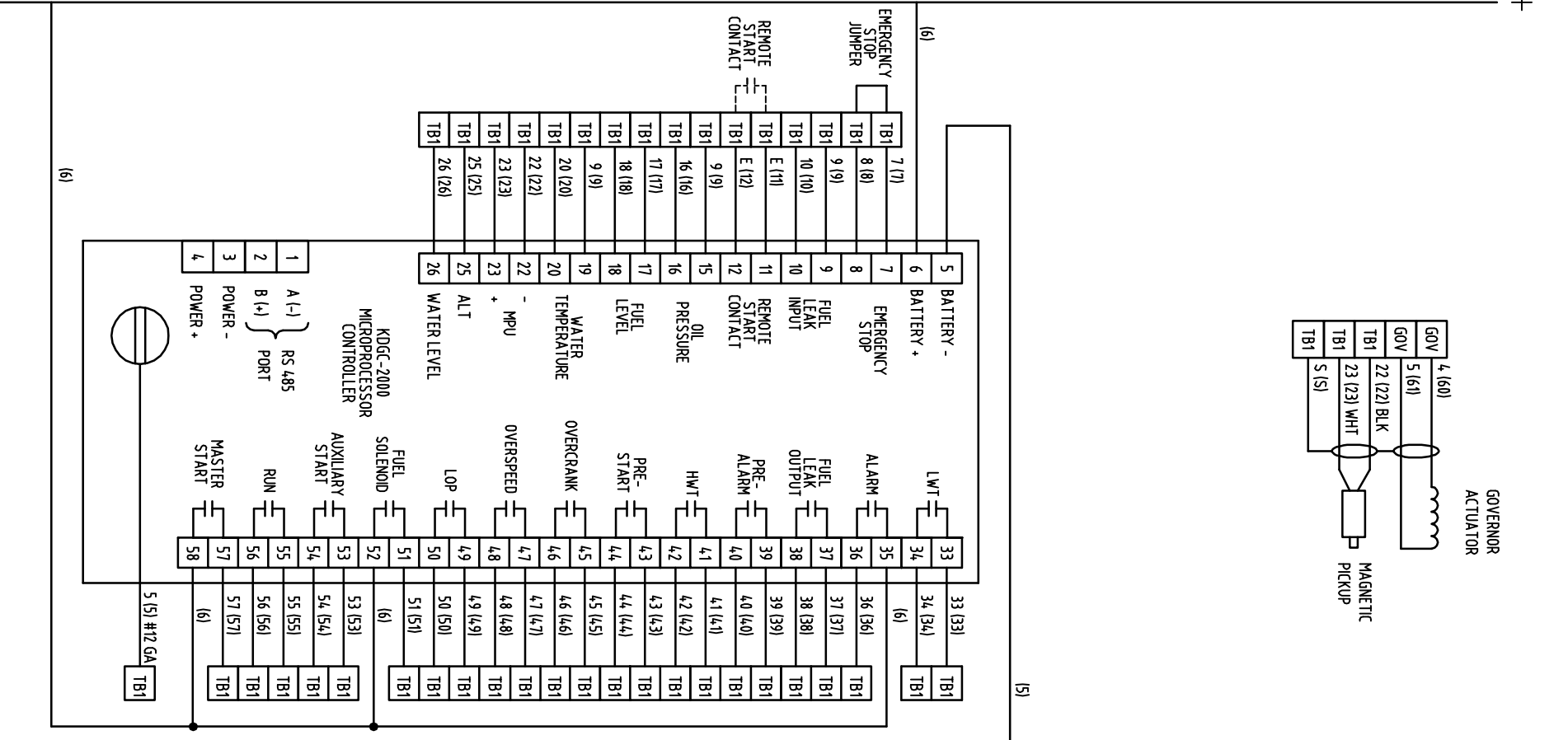
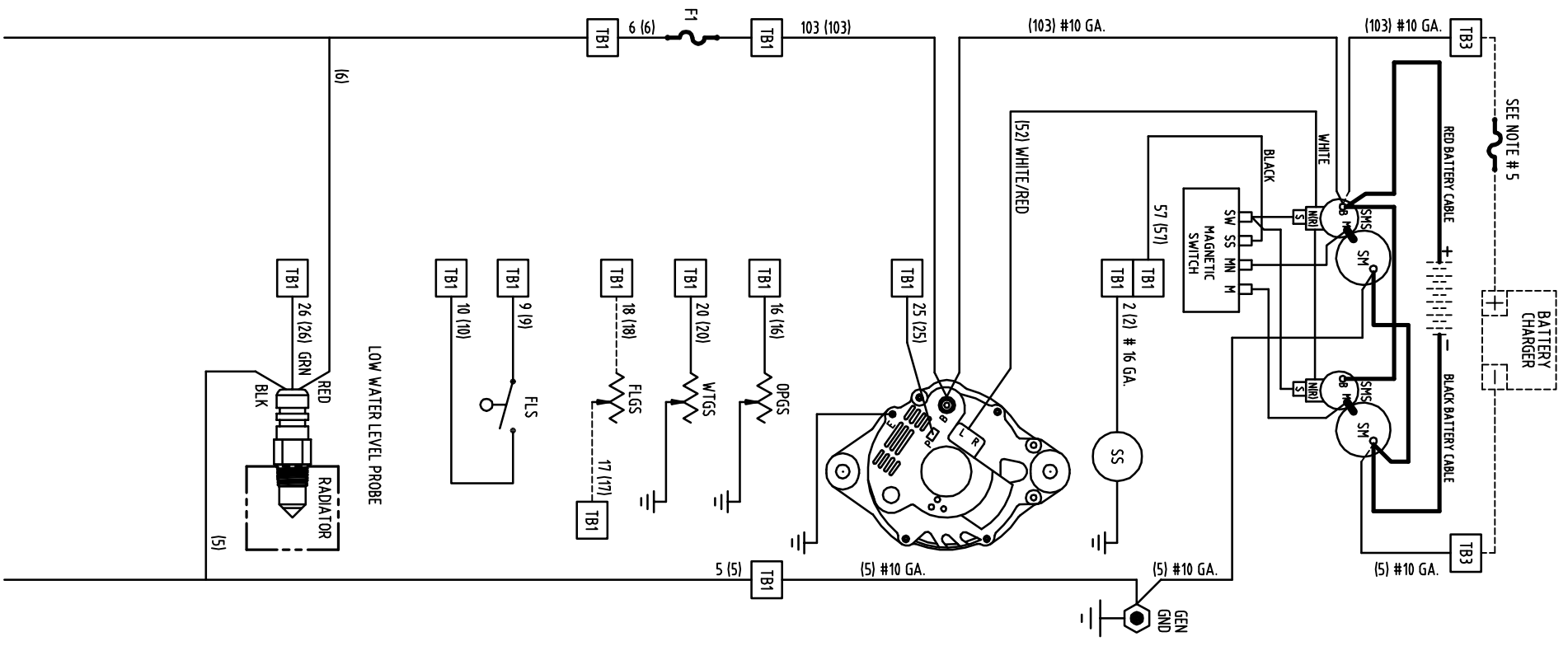
THIS DRAWING IS PROPERTY OF KATOLIGHT CORPORATION AND IS INTENDED FOR USE WITH OUR VENDERS AND CUSTOMERS. ANY CHANGES/MODIFICATIONS BY OTHERS MAY VOID DRAWING. DRAWING CHANGES MUST BE DONE BY KATOLIGHT AND MAY BE DONE SO AT ANYTIME.



MANKATO, MINNESOTA

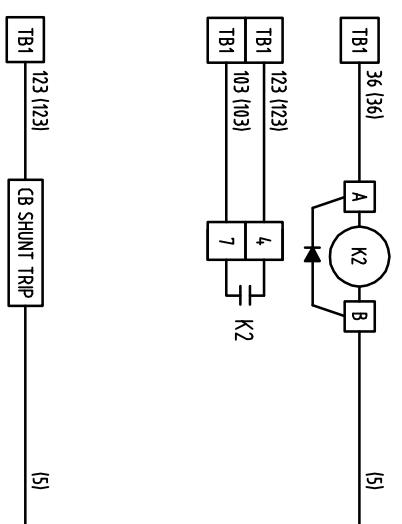
AC DIAGRAM

SIZE	DATE	DWG NO	819-B-13446
B	9-24-2003		
DESCRIPTION	480/277V 3Φ		DWN BY ECG
			SHEET 1 OF 1



- LEGEND
- ACT GOVERNOR ACTUATOR
 - ALT ALTERNATOR
 - F1 PANEL FUSE ABC 10 AMP
 - F2 SHUTDOWN SOLENOID FUSE ABC 15A
 - F3 GOVERNOR FUSE ABC 15A
 - FLS FUEL LEAK SWITCH
 - FS FUEL SOLENOID
 - GEN GENERATOR
 - GND GROUND
 - GOV GOVERNOR
 - HW/T HIGH WATER TEMPERATURE
 - K1 GOVERNOR PILOT RELAY
 - K2 SHUNT TRIP RELAY
 - LWP LOW OIL PRESSURE WARNING LED
 - LWL LOW WATER LEVEL PROBE
 - LWT LOW WATER TEMPERATURE LED
 - OPGS OIL PRESSURE GAUGE SENDER
 - SM STARTER MOTOR
 - SMS STARTER MOTOR COIL PILOT RELAY
 - TB1 BATTERY CHARGER FUSE ONLY WHEN SUPPLIED
 - WTGS WATER TEMPERATURE GAUGE SENDER

- NOTE:
1. WIRE NUMBERS ARE IN PARENTHESES.
 2. ENGINE WIRING IS #16 GA UNLESS OTHERWISE SPECIFIED.
 3. CONTROL PANEL WIRING IS #20 GA UNLESS OTHERWISE SPECIFIED.
 4. SHORT DASHED LINES (-----) INDICATE CUSTOMER CONNECTION OR OPTIONAL EQUIPMENT.
 5. BATTERY CHARGER FUSE ONLY WHEN SUPPLIED OR REQUIRED BY CHARGER MANUFACTURER.



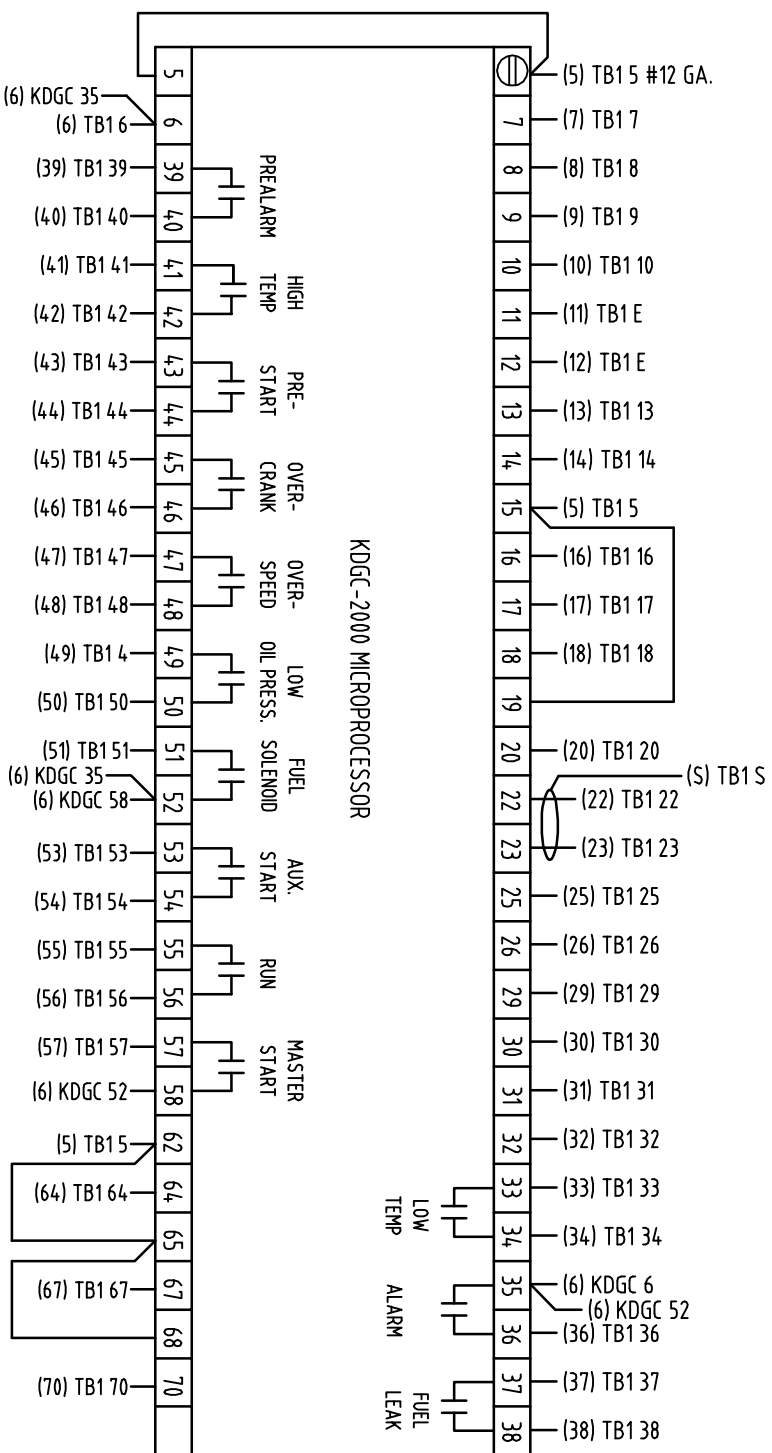
REVISED: CHANGED TO DYN1 GOVERNOR, 11-4-2003 ECG

KATOLIGHT

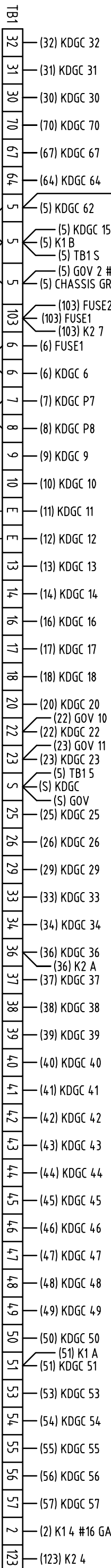
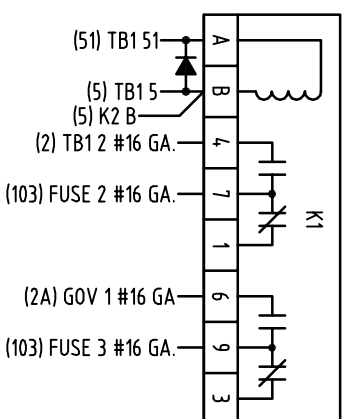
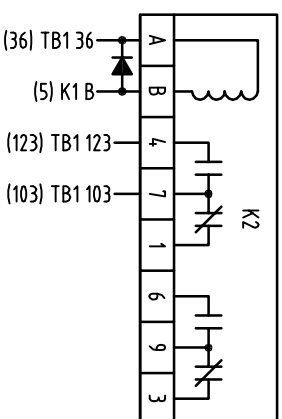
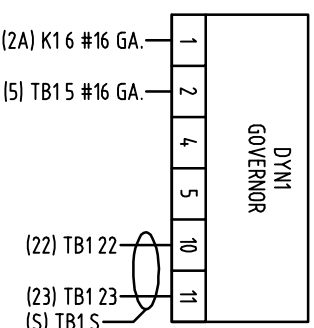
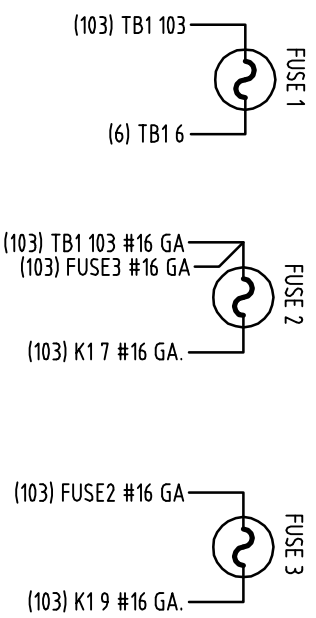
MAKATO, MINNESOTA

DC LADDER DIAGRAM

SIZE	DATE	DWG NO	
B	9-24-2003	819-B-13447	
DESCRIPTION	KDGC-2000, MITSU	DWN BY	ECG
		SHEET	1 OF 1



LEGEND
 K1 GOVERNOR PILOT RELAY
 K2 SHUNT TRIP RELAY
 KDG KDG-2000 MICROPROCESSOR
 TB1 TERMINAL BOARD 1



NOTES:

1. FUSE 1 (PANEL) ABC 10 AMP.
FUSE 2 (SHUTDOWN) ABC 15 AMP.
FUSE 3 (GOVERNOR) ABC 15 AMP.
2. ALL WIRE NUMBERS ARE IN PARENTHESIS.
3. USE #20GA WIRE ON ALL DEVICES UNLESS OTHERWISE SPECIFIED.

EMERGENCY STOP JUMPER
 REMOTE START CONTACT

KATOLIGHT
 HAWKATO, MINNESOTA

POINT TO POINT DIAGRAM

SIZE	DATE	DWG NO	
B	9-24-2003		819-B-13448
DESCRIPTION	KDG-2000 MITSU		
	DWN BY	ECG	SHEET 1 OF 1

THIS DRAWING IS PROPERTY OF KATOLIGHT CORPORATION AND IS INTENDED FOR USE WITH OUR VENDERS AND CUSTOMERS. ANY CHANGES/MODIFICATIONS BY OTHERS MAY VOID DRAWING. DRAWING CHANGES MUST BE DONE BY KATOLIGHT AND MAY BE DONE SO AT ANYTIME.